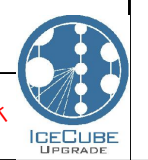
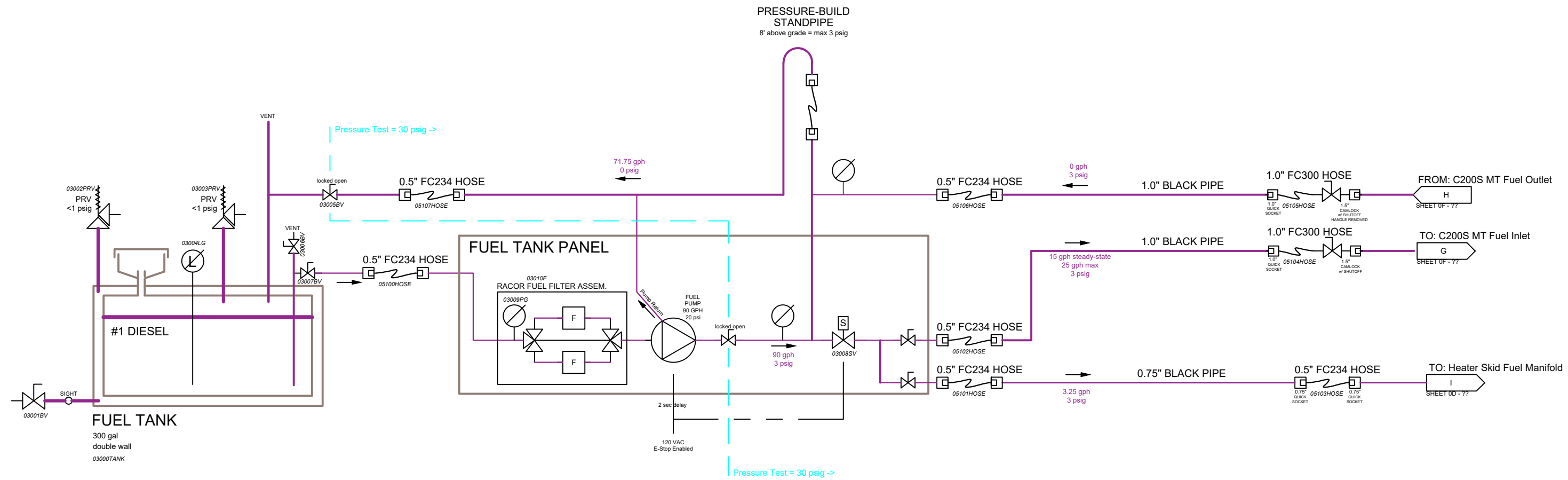
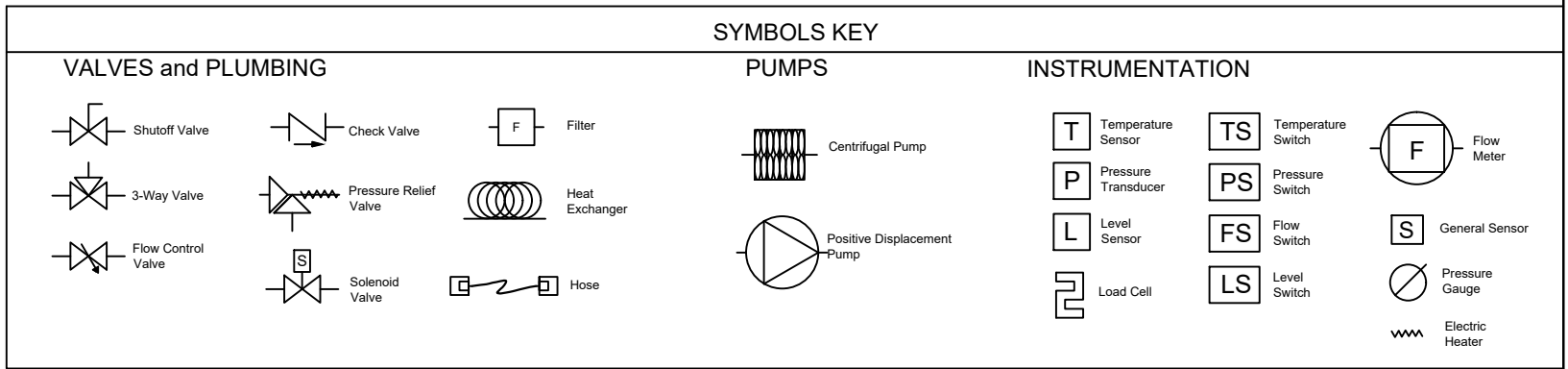


DRAWN TLB
L3 CHK'D
L2 APPR'D

PSL PHYSICAL SCIENCES LABORATORY
UNIVERSITY OF WISCONSIN (608-877-2200)

SCALE NONE	TITLE IceCube Upgrade EHWB	SHEET 0	DWG NO XYZ	SIZE B	REV DRAFT
DATE 2.23.2021	DRILL TESTBED				



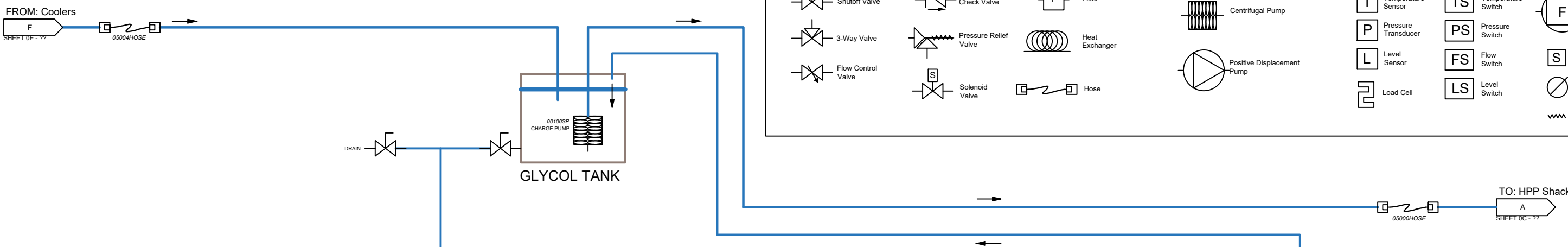


DRAWN	TLB
L3	CHK'D
L2	APPR'D

PSL PHYSICAL SCIENCES LABORATORY
UNIVERSITY OF WISCONSIN (608-877-2200)

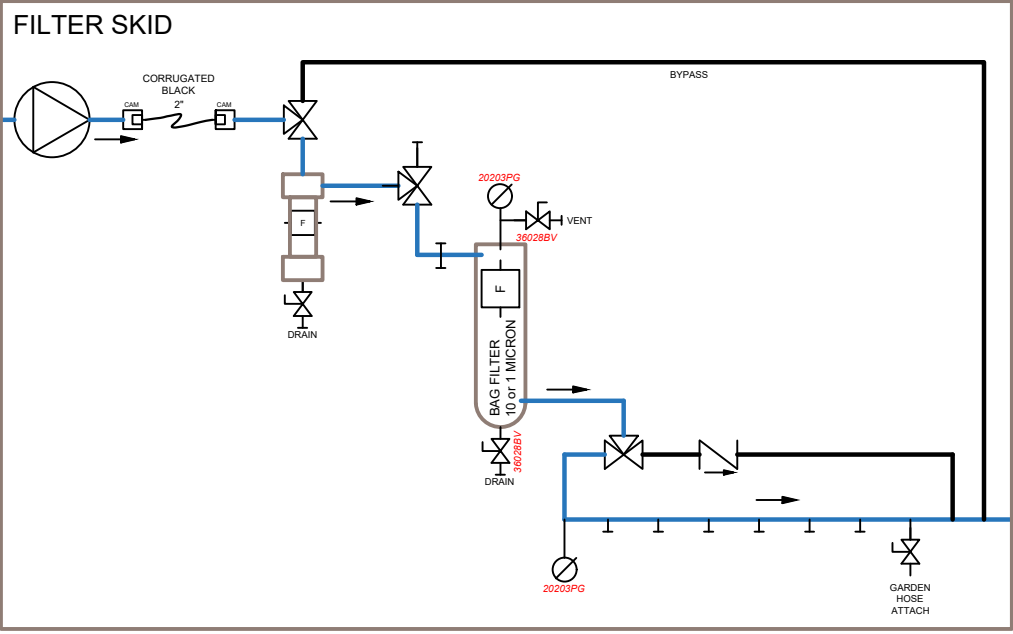
SCALE	NONE	TITLE	SHEET 0A	DWG NO	SIZE	REV
DATE	4.6.2021	IceCube Upgrade EHW		XYZ	B	DRAFT
TESTBED: FUEL SYSTEM						

WINTER CONFIGURATION

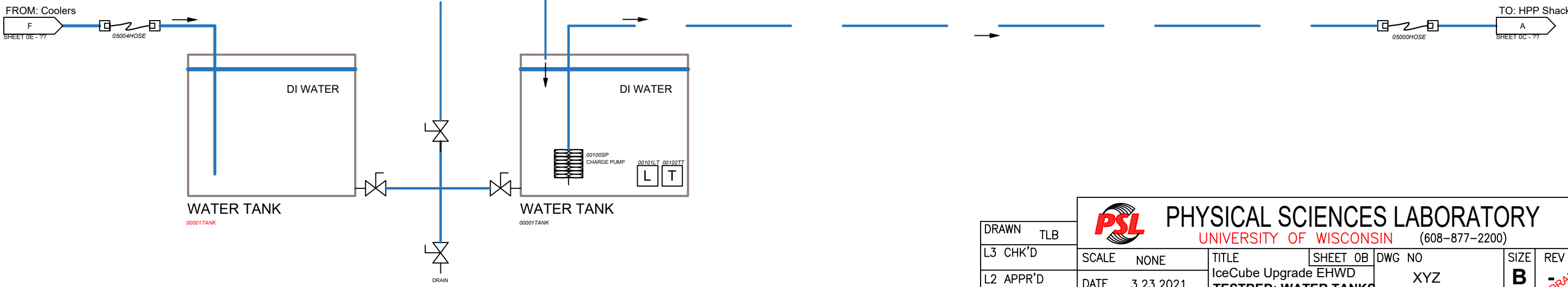


SYMBOLS KEY

VALVES and PLUMBING			PUMPS		INSTRUMENTATION								
	Shutoff Valve		Check Valve		Filter		Centrifugal Pump		Temperature Sensor		Temperature Switch		Flow Meter
	3-Way Valve		Pressure Relief Valve		Heat Exchanger		Positive Displacement Pump		Pressure Transducer		Pressure Switch		General Sensor
	Flow Control Valve		Solenoid Valve		Hose		Level Sensor		Load Cell		Flow Switch		Pressure Gauge
							Level Switch		Electric Heater				



SUMMER CONFIGURATION

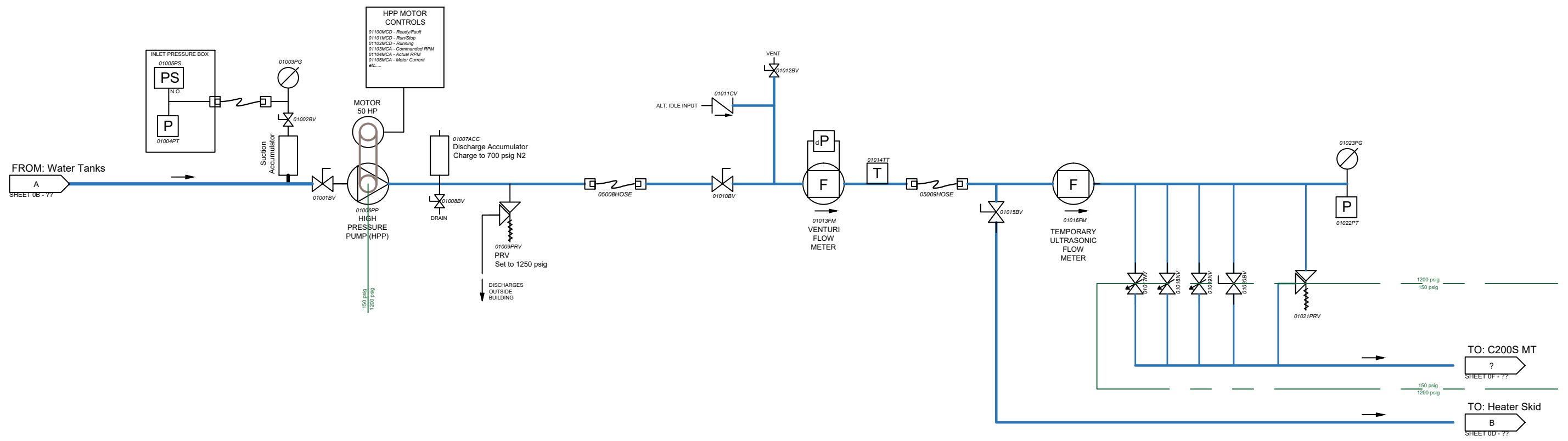
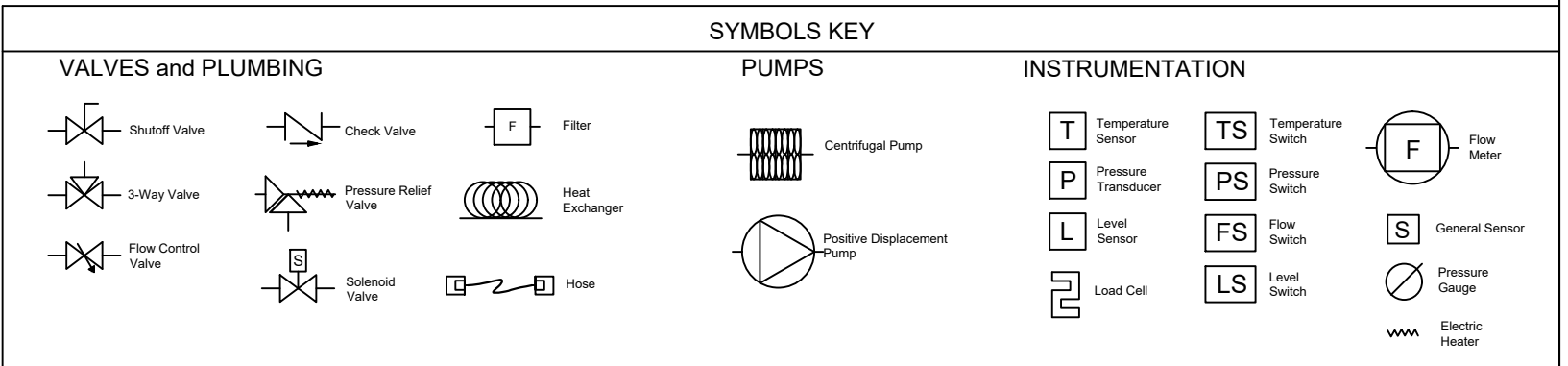


DRAWN	TLB
L3	CHK'D
L2	APPR'D

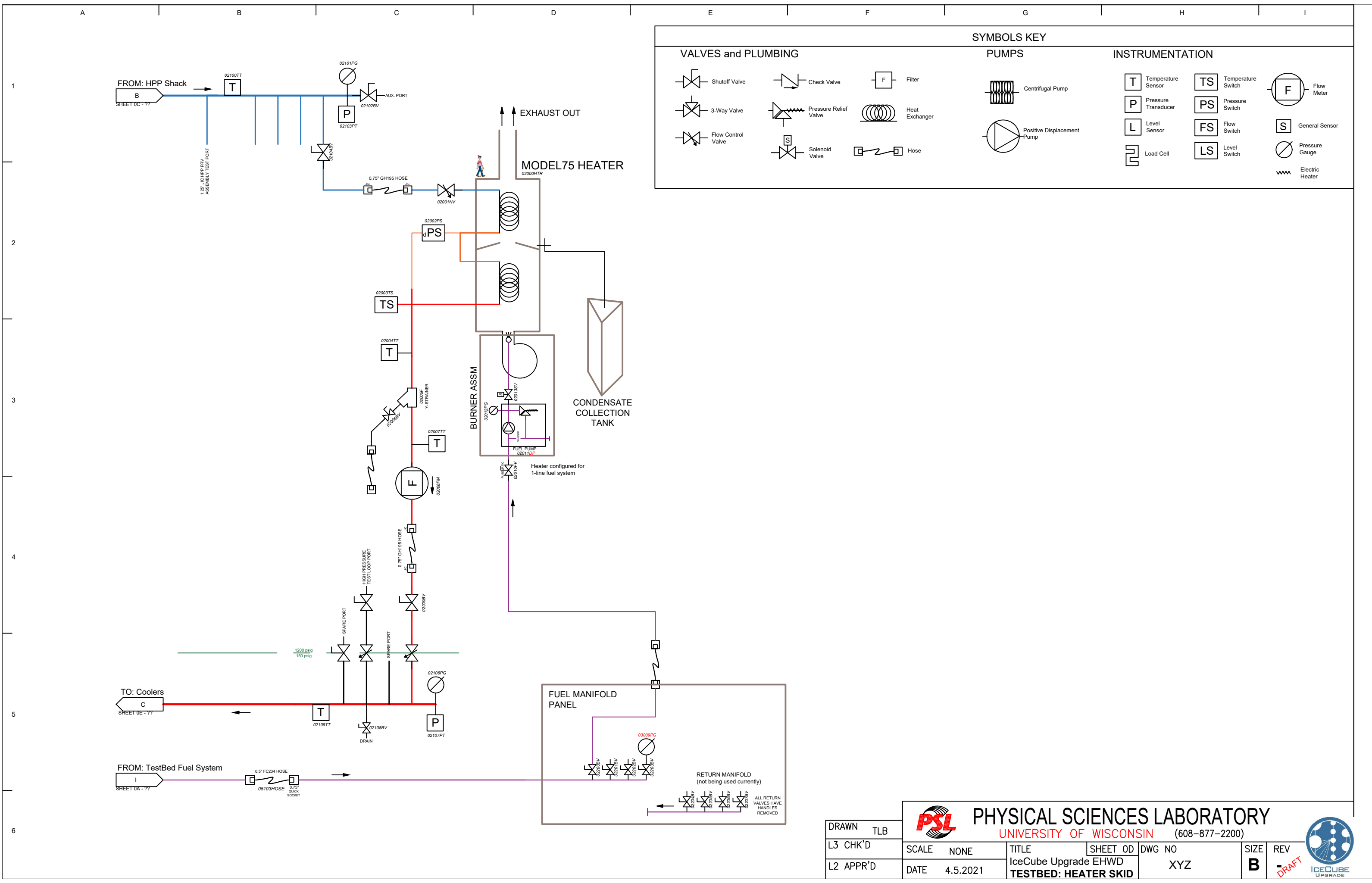
PSL PHYSICAL SCIENCES LABORATORY
 UNIVERSITY OF WISCONSIN (608-877-2200)

SCALE	NONE	TITLE	SHEET	OB	DWG NO	SIZE	REV
DATE	3.23.2021	IceCube Upgrade EHW			XYZ	B	DRAFT

TESTBED: WATER TANKS



DRAWN	TLB	PHYSICAL SCIENCES LABORATORY UNIVERSITY OF WISCONSIN (608-877-2200)		SHEET	OC	DWG NO	XYZ	SIZE	REV	
L3	CHK'D									
L2	APPR'D	DRAFT								



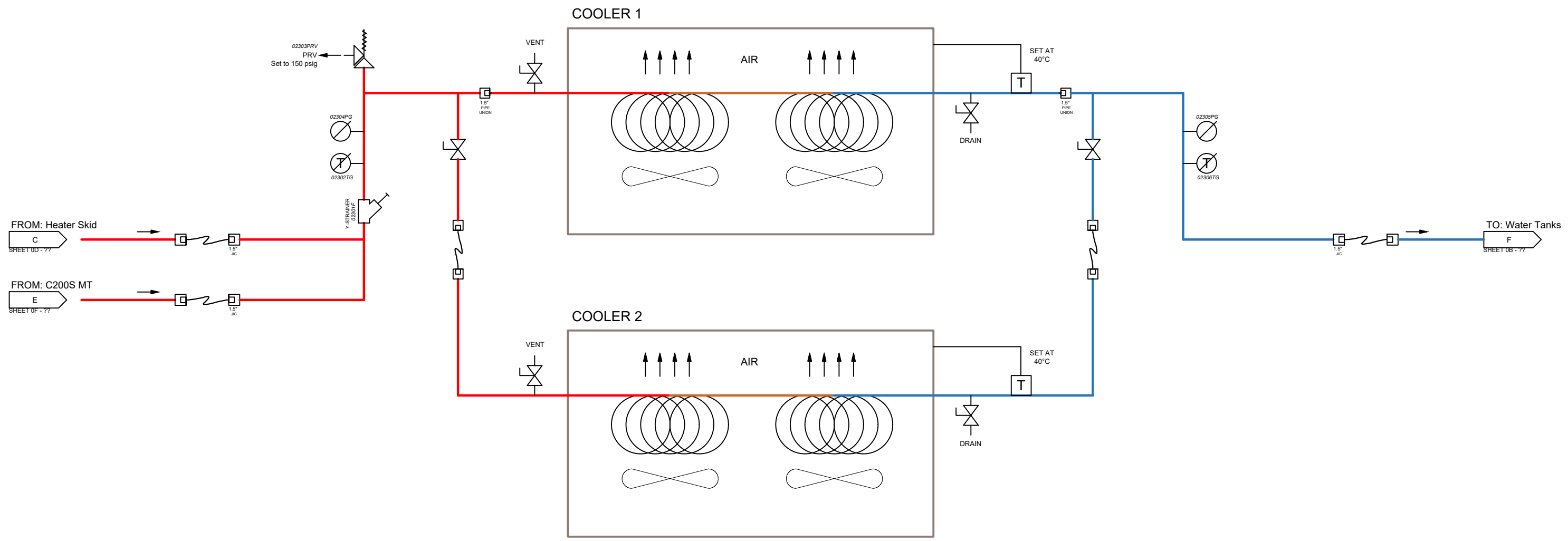
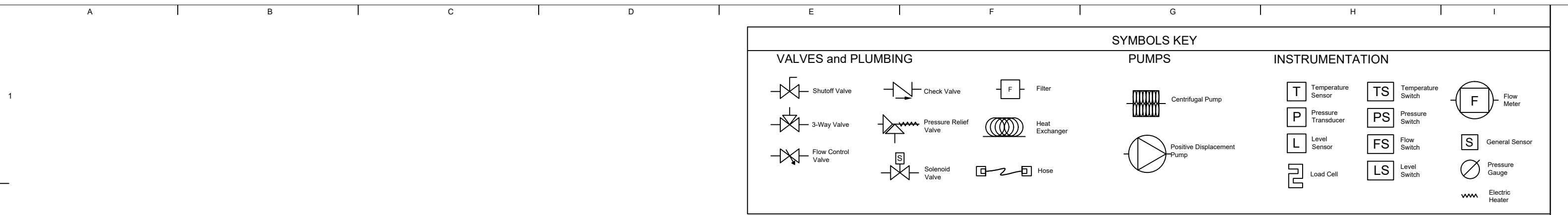
SYMBOLS KEY		
VALVES and PLUMBING	PUMPS	INSTRUMENTATION
<ul style="list-style-type: none"> Shutoff Valve 3-Way Valve Flow Control Valve 	<ul style="list-style-type: none"> Check Valve Pressure Relief Valve Solenoid Valve 	<ul style="list-style-type: none"> Temperature Sensor (T) Pressure Transducer (P) Level Sensor (L) Load Cell Temperature Switch (TS) Pressure Switch (PS) Flow Switch (FS) Level Switch (LS) Flow Meter (F) General Sensor (S) Pressure Gauge Electric Heater
<ul style="list-style-type: none"> Filter (F) Heat Exchanger Hose 	<ul style="list-style-type: none"> Centrifugal Pump Positive Displacement Pump 	

DRAWN	TLB
L3	CHK'D
L2	APPR'D

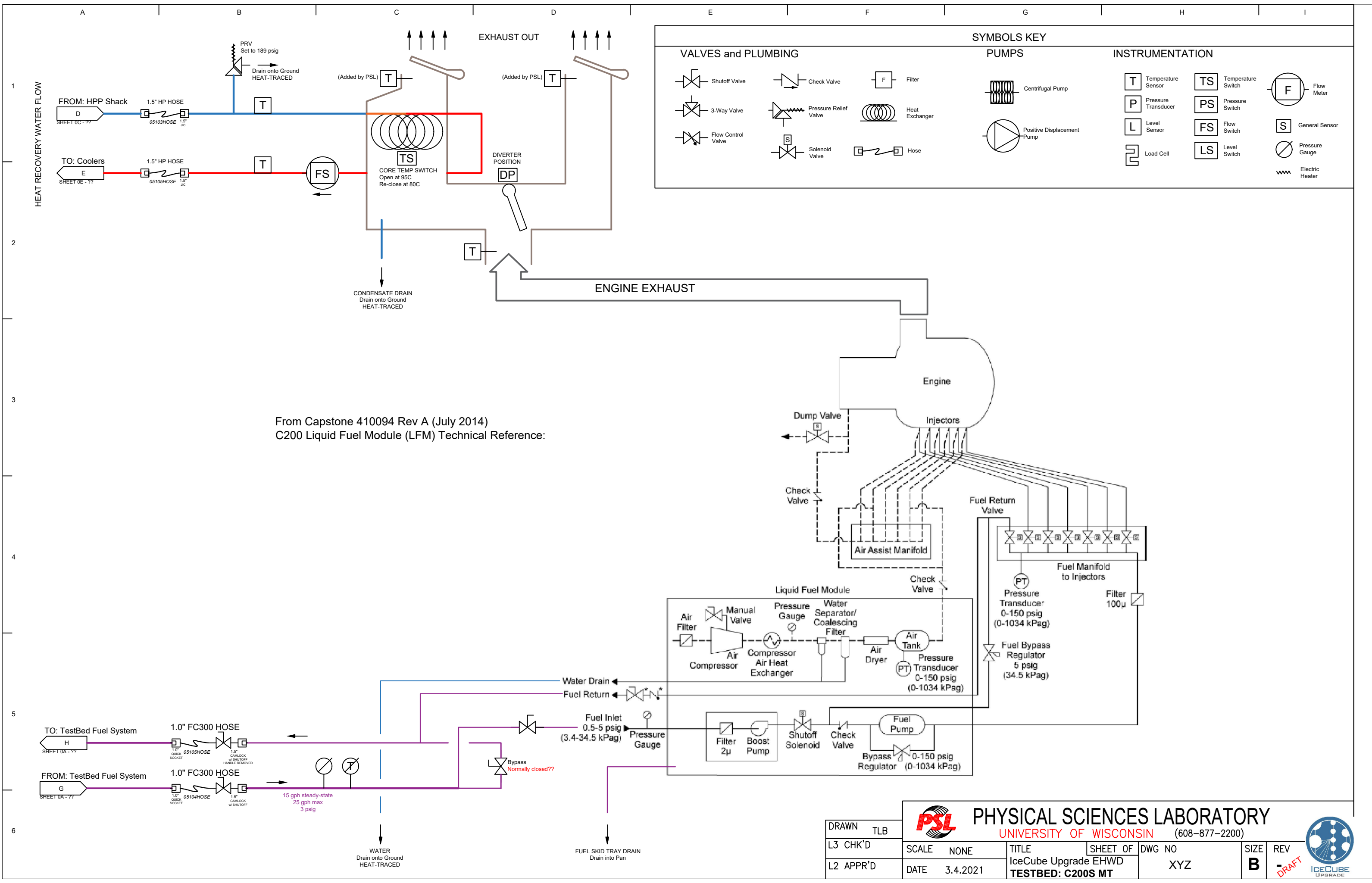
PSL PHYSICAL SCIENCES LABORATORY
 UNIVERSITY OF WISCONSIN (608-877-2200)

SCALE	NONE	TITLE	SHEET 0D	DWG NO	SIZE	REV
DATE	4.5.2021	IceCube Upgrade EHWD		XYZ	B	DRAFT
TESTBED: HEATER SKID						





DRAWN	TLB	PHYSICAL SCIENCES LABORATORY UNIVERSITY OF WISCONSIN (608-877-2200)				SHEET 0E	DWG NO	SIZE	REV	
L3	CHK'D									
L2	APPR'D	DATE	3.23.2021	IceCube Upgrade EHWD						
				TESTBED: COOLERS						



DRAWN TLB
L3 CHK'D
L2 APPR'D

PSL PHYSICAL SCIENCES LABORATORY
UNIVERSITY OF WISCONSIN (608-877-2200)

SCALE NONE	TITLE IceCube Upgrade EHWD	SHEET OF	DWG NO XYZ	SIZE B	REV DRAFT
DATE 3.4.2021	TESTBED: C200S MT				ICECUBE UPGRADE